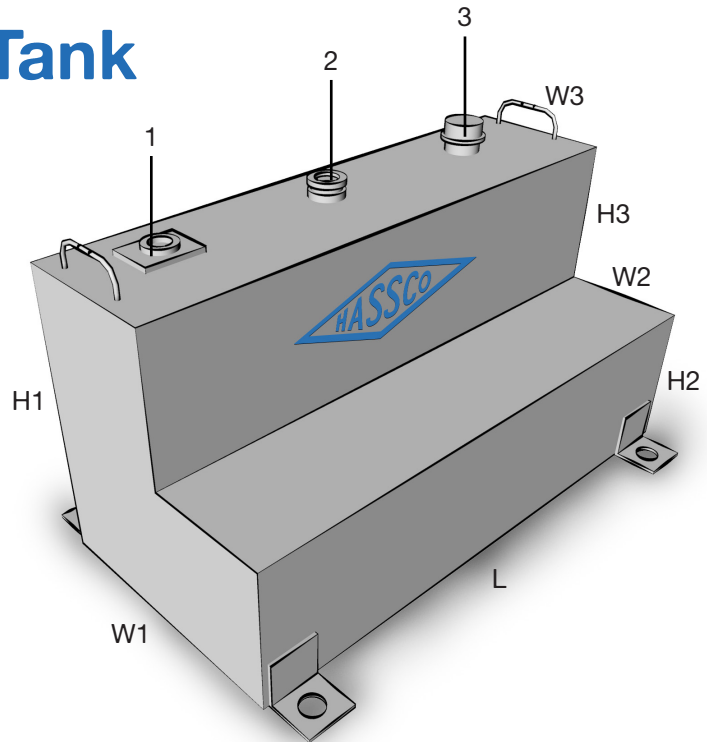


Hassco L-Shape Mobile Tank

1. 2" npt Reinforced Pump Connection
2. 2" npt Emergency Vent
3. 2" npt Fill c/w Lockable Cap



Material (gauge)	Capacity	H1	W1	L	H2	H3	W2	W3	Weight
12	340L/75G	25"	29"	48"	16"	9"	18"	11"	200lbs.
12	420L/90G	25"	29"	60"	16"	9"	18"	11"	230lbs.

General Information

HASSCO's "L" Shape Mobile Tank is manufactured using heavy 12 gauge steel and is designed to support a tool box. It's easy to install and engineered to fit most standard truck boxes or cross bed tool storage containers. Includes emergency venting and internal baffles to provide optimum stability. These tanks give quick and safe access for your diesel fuel needs. For the transport of gasoline, see one of HASSCO's Mobile Refueling IBCs.

Options

- Transfer pumps and meters
- Integrated Toolbox
- Powder Coating

