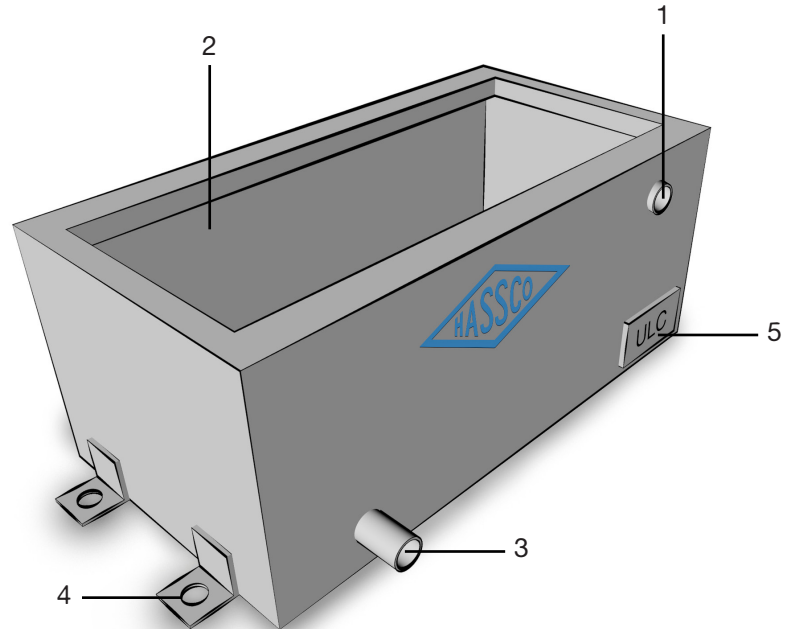


Hassco Dispenser Sump

1. Coupler
2. Shear Valve Support Bracket
c/w Cross Brace
3. 1 1/2" x 6" Nipple
4. Bolt Down Lug
5. ULC Label



Material (gauge)	Outer Dimensions			Opening Dimensions		Weight
	Height	Length	Width	Length	Width	
9	14"	36"	20"	22"	13"	150lbs.

General Information

HASSCO's ULC approved Stainless Steel Containment Sump provides complete spill containment for free standing pumps. Its innovative design is easily installed at new or existing sites on a concrete island, pad or marina dock. Leaks for the pump are safely contained within the sump, eliminating potential environmental damage, liability and clean-up costs.

Options

- Powder Coating
- Dual Piping

Sizing

- Standard and custom sizing available.

Conformity

- ULC

